



- Piezoresistive pressure sensor
- High sensitivity
- Standard diaphragm
- Stainless steel case
- EMC and reverse polarity protection
- Analog output: 4...20mA or 0...10VDC
- 100 mbar to 600 bar

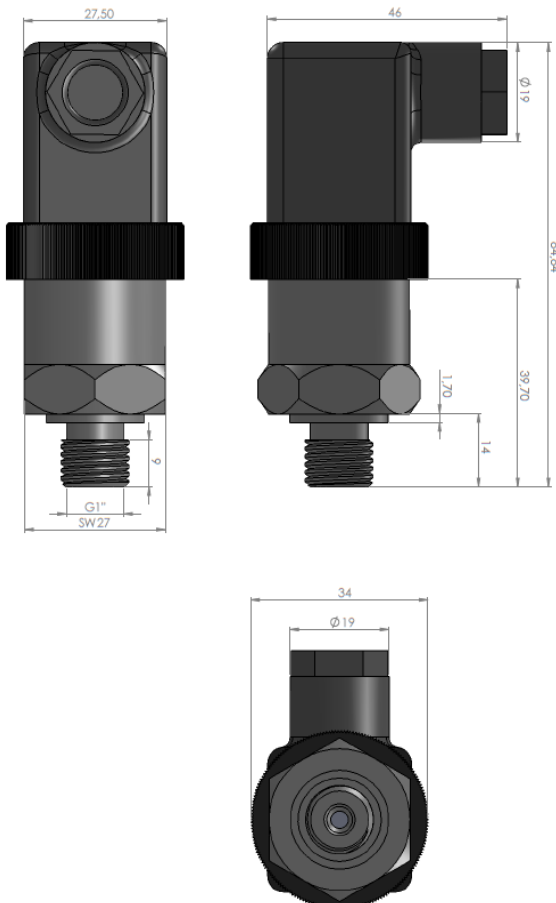
Applications

- Pneumatic Systems
- Hydraulic Systems
- Machines Equipments
- Air Cooling – Heating Systems
- Water Technologies
- Automation Applications

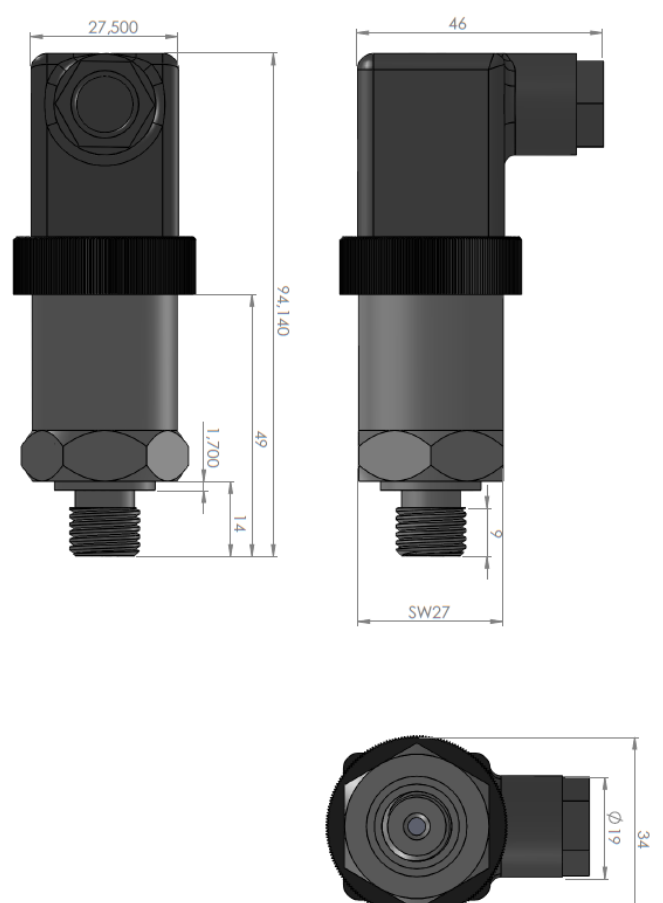
BCT Technical Specifications

Pressure Range	100 mbar to 600 bar
Output Signal	4...20mA (2 Wires) , 0...10VDC (3 Wires)
Mechanical Connection	G1, G1/2, G1/4
Power Supply	+12...30 VDC
Accuracy	%0,25
Protection Class	IP65
Operating Temperature	-40°C to +120°C
Housing Material	Stainless steel
Weight	140 grams

Mechanical Dimension (2 Bar to 400 Bar)

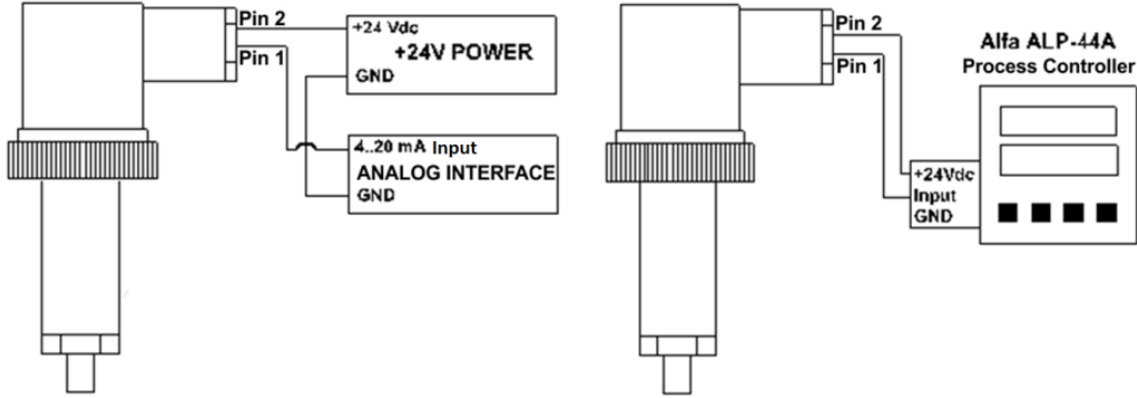


Mechanical Dimension (100 Milibar to 1 Bar and 600 Bar)



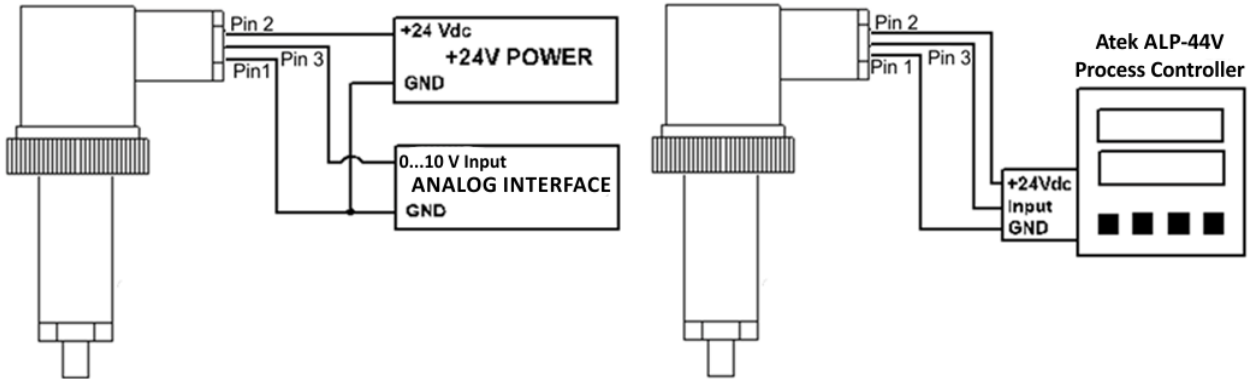
Pin No 2 Wires 4-20mA Connection	Signal
1	4...20mA Analog Output
2	+12...30 VDC (Supply)

Sample Connection:



Pin No 3 Wires 0-10VDC Connection	Signal
1	GND
2	+12...30 VDC (Supply)
3	0...10VDC Analog Output

Sample Connection:



Order Code

Model	Pressure	Output Signal	Mechanical Connection	Electrical Connection
BCT 110	100mB : 100 Milibar 16B : 16 Bar 600B : 600 Bar	V : 0-10 VDC Analog Voltage A : 4-20 mA Analog Current	G4 : G1/4 Connection G1 : G1 Connection G2 : G1/2 Connection	S : DIN43650 Female Socket 1M : 1 Metre Cable 2M : 2 Metre Cable

Atek Sensor Technologies A.S.



Tuzla Kimya Sanayicileri Org. San. Bolg. Melek Aras Bulvarı, No:67 34956 Tuzla - Istanbul / TURKEY
Tel: +90 216 399 44 04 Fax: +90 216 399 44 02
www.ateksensor.com info@ateksensor.com