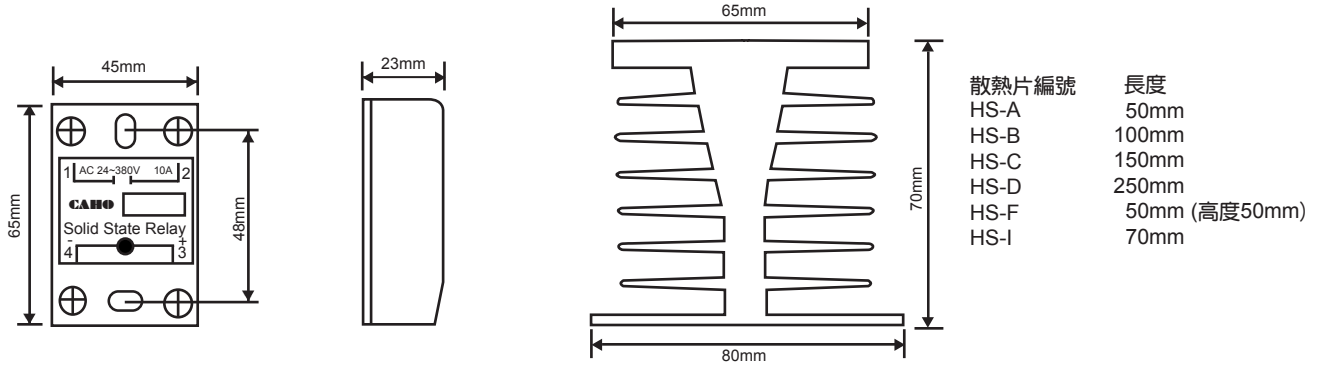
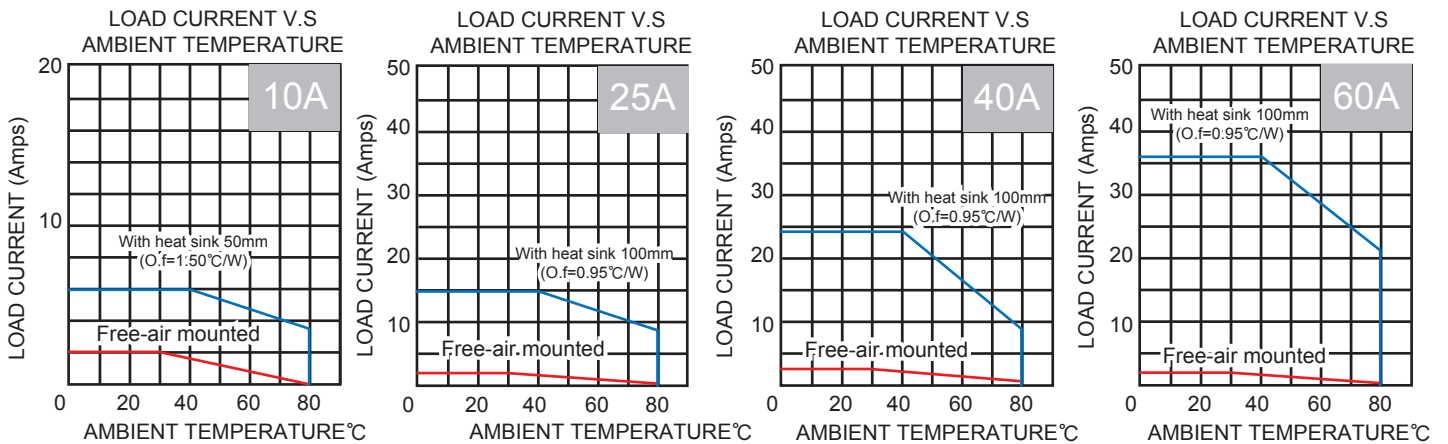


■ DIMENSION 尺寸圖



■ CHARACTERISTIC CURVES



※須考慮電源變動、散熱片及其他外在因素，實際使用電流不得超過SSR額定之60%。

※Must consider the system of power on, heat sink and other factors, the usage current shouldn't be above 60% of its rated current.

※負載測試：負載未接或電流太小(1A以下)無法正常導通，測試時請接1A以上之負載。

※Testing: Load current over 1A

■ ORDERING CODE 訂貨編號

Model No. 型號		SR- [Color Code]				
Series 系列	DC-AC	D				
	AC-AC	A				
	DC/AC-AC	U				
	VR-AC	R				
Line Voltage 負載電壓	250V AC		25			
	380V AC		38			
	440V AC		48			
Load Current 負載電流	10A			10		
	25A			25		
	40A			40		
	60A			60		
Heat Sink 散熱片	None fitted					N
	Fitted with Heat Sink 80x70x50mm					A
	Fitted with Heat Sink 80x70x100mm					B
	Fitted with Heat Sink 80x70x150mm					C
	Fitted with Heat Sink 80x70x250mm					D
	Fitted with Heat Sink 80x50x50mm					F
Fitted with Heat Sink 80x70x65mm						I
DIN rail adapter option 鋁軌固定座選配	Just for HS-A,B,C,D or I Heat Sink 只適合HS-A,B,C,D,I 五種散熱片					S

※備註:

1. 負載電壓440V無10安培之規格。
2. 訂貨時請查閱“規格說明”欄。
3. 60安培因散熱考量，訂貨時請加購HS-C散熱片。

※Note:

1. No 10A model type for 440V power supply.
2. Please refer to the specification and indicate your requirements.
3. Due to the cooling concern, while ordering 60A SSR, please also include the heatsink HS-C.