



Construction

Close-coupled self-priming shallow-well jet pump with built-in ejector.

Applications

For drawing water out of a well.
 For lifting water containing air or other gases.
 For increasing water pressure from flooded suction applications.
 As pressure boosting pump for central water systems with low pressure (follow local specifications if increasing network pressure).
 For garden use.
 For washing with a jet of water.

Operating conditions

Liquid temperature: 0 °C to +35 °C.
 Ambient temperature up to +40 °C.
 Suction lift up to 9 m.
 Maximum permissible pressure in the pump casing: 8 bar.
 Continuous duty.

Motor

2-pole induction motor, 50 Hz (n = 2800 rpm).

NGL: three-phase 230/400 V ± 10%.

NGLM: single-phase 230 V ± 10%, with thermal protector.
 Capacitor inside the terminal box.

Insulation class F.

Protection IP 54.

Classification scheme IE2 for three-phase motors from 0,75 kW.

Constructed in accordance with: EN 60034-1; EN 60034-30.
 EN 60335-1, EN 60335-2-41.

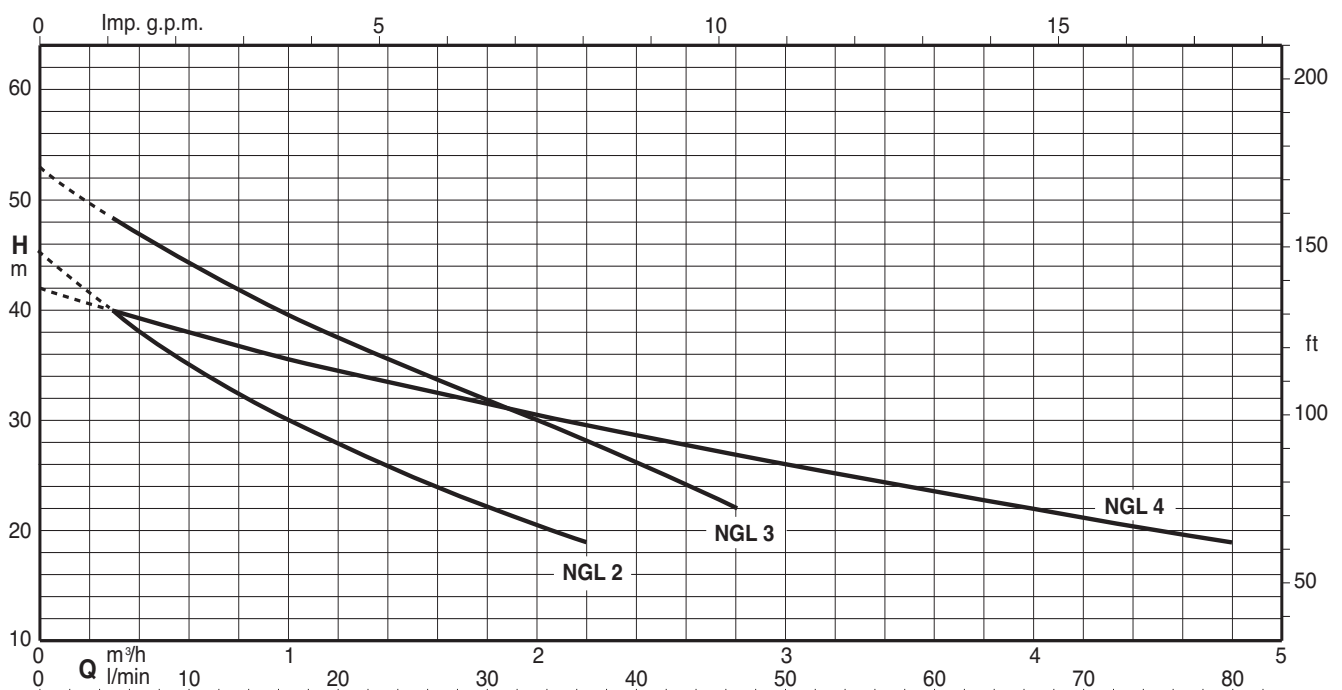
Materials

Component	Material
Pump casing	Cast iron GJL 200 EN 1561
Casing cover	Cr-Ni steel 1.4301 EN 10088 (AISI 304)
Impeller	Brass P-Cu Zn 40 Pb 2 UNI 5705
Wear ring impeller-diffuser	Cr-Ni steel 1.4301 EN 10088 (AISI 304)
Diffuser	PPO-GF20 (Noryl)
Ejector	PPO-GF20 (Noryl)
Shaft	Chrome steel 1.4104 EN 10088 (AISI 430)
Mechanical seal	Carbon - Ceramic - NBR

Special features on request

- Other voltages.
- Frequency 60 Hz (as per 60 Hz data sheet).

Characteristic curves n ≈ 2800 rpm



72.1072.1

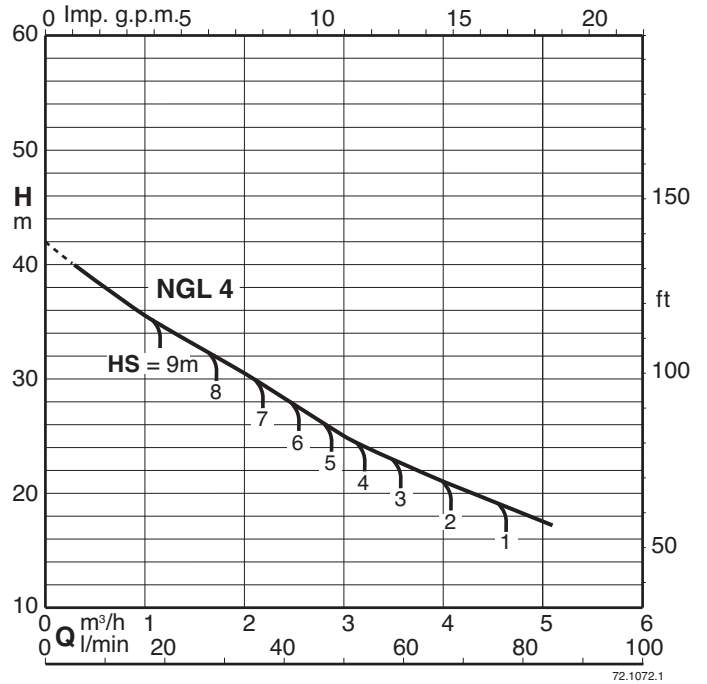
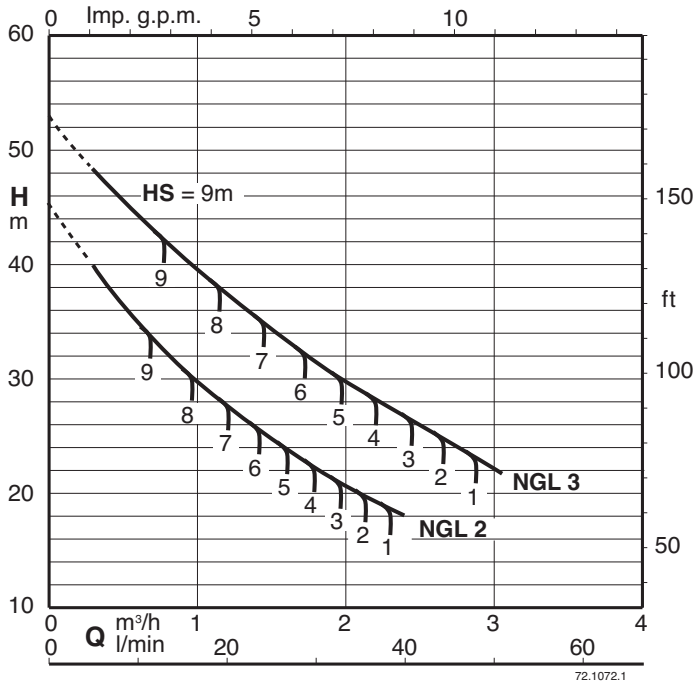
Technical data $n \approx 2800$ rpm

3~	230V 400V		1~	230V		P ₁		P ₂		Q	H _m								
	A	A		A	kW	kW	HP	m ³ /h	0		0,3	1	2	2,3	2,8	4	4,5	4,8	
NGL 2	2,8	1,6	NGLM 2	3,3	0,7	0,45	0,6	H _m	0	5	16,6	33,3	38,3	46,6	66,6	75	80		
NGL 3/A	2,8	1,6	NGLM 3/A	4,2	0,9	0,55	0,75		45	40	30	20,5	19						
NGL 4/A	3,5	2	NGLM 4/A	5,4	1	0,75	1		53	48	39	30	28	24					
									42	40	36	31	29	27	22	20,5	19		

P₁ Max. power input. P₂ Rated motor power output.

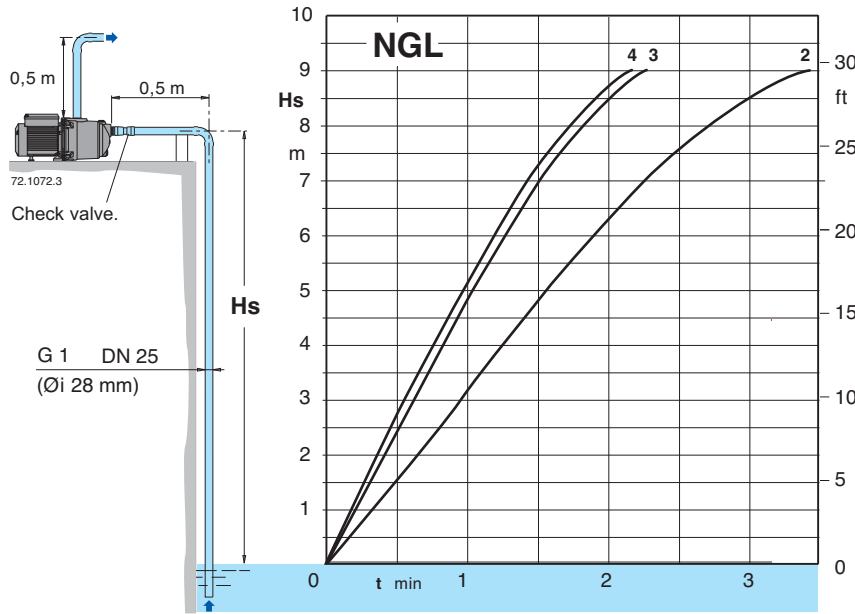
Tolerances according to ISO 9906, annex A.

Characteristic Curves for different suction lifts H_s



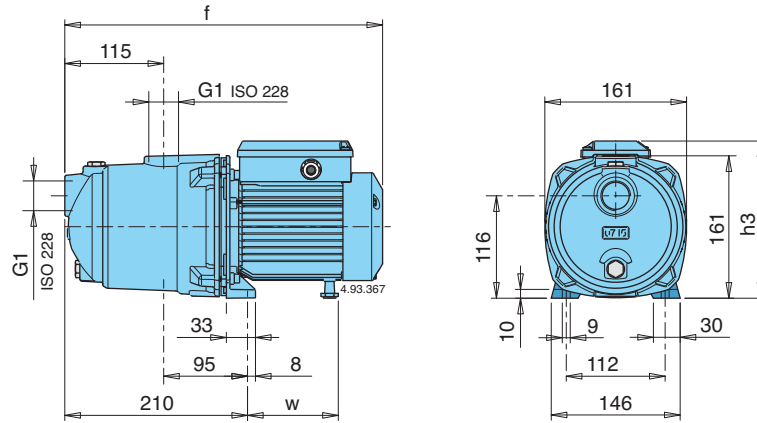
Self-priming capability

50 Hz ($n \approx 2800$ 1/min), H₂O, T = 20°C, Pa = 1000 hPa (mbar)



H_s (m) Suction lift.
t (min) Self-priming time.

Dimensions and weights



TYPE	Dimensions mm			Net weight kg	
	f	h3	w	NGL	NGLM
NGL 2	362	176	102	10,3	10,3
NGL 3/A	391	192	112	11,4	12,3
NGL 4/A	391	192	112	12,5	13,5