



RMD

▲ RMD-23

不鏽鋼漩渦磁力泵 STAINLESS STEEL VORTEX MAGNETIC PUMP

RMD磁力驅動高低溫漩渦泵，流體通過零件材質為SUS316不鏽鋼、鑄鐵，產品採用先進的水力、高效的磁性傳動結構、新穎的外觀設計，通過精密的加工和製造工藝，實現磁力泵的節能、安全可靠、性能穩定、壽命久等優點，在高端應用領域得到廣泛應用。

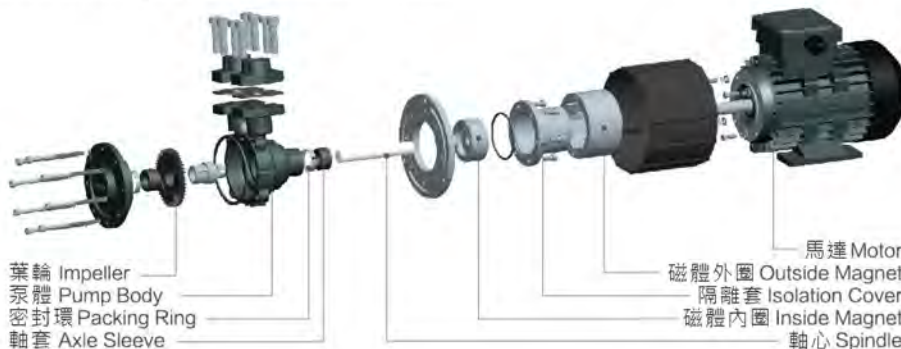
應用：高溫模具控溫、高低溫試驗儀器、半導體精密控溫、化工設備、模板控溫、超音波清洗、高端印染設備等。

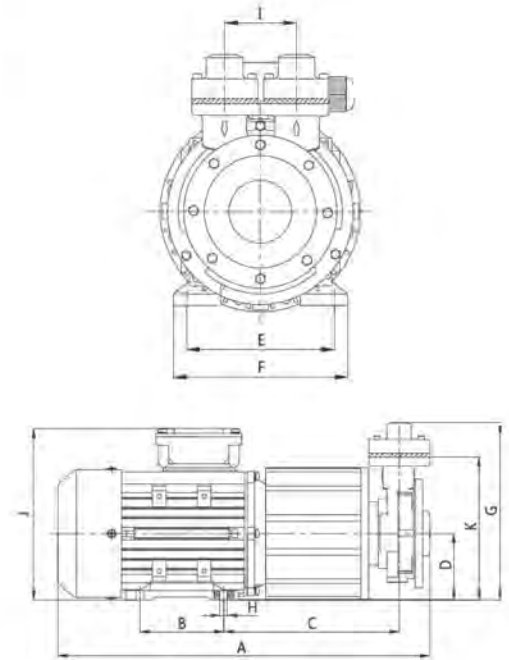
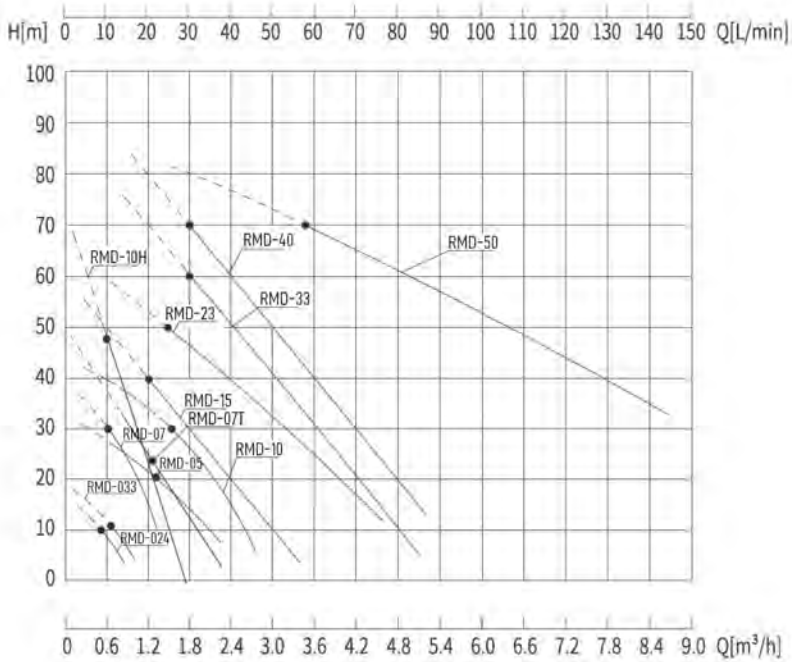
材質：不含顆粒、纖維的水、乙二醇、酒精、導熱油、碳氫溶液、矽油、冰河冷媒、汽油、染料、化學溶液等液體。

RMD series magnetic drive type high and low-temperature vortex pump, its flow parts are SUS316 stainless steel, cast iron. RMD pump adopts advanced hydraulic power, efficient magnetic transmission structure, novel appearance design, through precise processing and manufacturing technology, it come true energy-saving, safe and reliable, stable performance, long life, and other advantages, RMD pumps are widely used in middle high-end fields.

Application Area: High temperature mold temperature controlling, High and low temperature test instrument, Semiconductor precision temperature control, Chemical equipment, Template temperature controlling, Ultrasonic cleaning equipment, High end printing and dyeing equipment, TCU.

Circulation Medium: Water, ethylene glycol, alcohol, thermal oil, hydrocarbon solution, silicone oil, refrigerant gasoline, dyestuff, chemical solution and other liquids without particles and fibers.





使用條件 / Working Condition

高溫熱水 Thermal Conductivity Water	高溫導熱油/合成油 Thermal Conductivity Oil Synthetic oil	乙二醇 / 矽油 Glycol/Silicone Oil	工作環境溫度 Working Temperature	最高海拔 Maximum Elevation	最大工作壓力 Maximum Working Pressure
+5°C~+200°C	-120°C~+350°C	-120°C~+180°C	-50°C~+70°C	5000m	20bar

規格性能參數 / Technical Parameter

型號/Model	口徑/Diameter		馬達/Motor					性能參數/Performance Parameter		泵浦淨重 Pump Weight (kg)
	入口 Inlet	出口 Outlet	功率 Power (KW)	馬力 (Hp)	電壓 Voltage (V)	頻率 Frequency (Hz)	轉速 Speed (r/min)	最高/使用揚程 (m)	最大流量 (l/min)	
RMD-024	DN15	DN15	0.18	0.24	3Ø-380	50	2760	15/10	15	7.5
RMD-033	DN15	DN15	0.25	0.33	3Ø-380	50	2760	20/12	15	9
RMD-05	DN15	DN15	0.37	0.5	3Ø-380	50	2760	30/20	30	9.5
RMD-07	DN15	DN15	0.5	0.7	3Ø-380	50	2760	40/30	25	10
RMD-07T	G1/2"	G1/2"	0.5	0.7	3Ø-380	50	2760	50/40	40	10
RMD-10H	DN15	DN15	0.75	1	3Ø-380	50	2760	75/50	30	10
RMD-10	DN20	DN20	0.75	1	3Ø-380	50	2760	45/30	45	10
RMD-15	DN20	DN20	1.1	1.5	3Ø-380	50	2760	60/40	60	17
RMD-23	DN25	DN25	1.7	2.3	3Ø-380	50	2760	65/50	90	22
RMD-33	DN25	DN25	2.5	3.3	3Ø-380	50	2760	90/60	90	26
RMD-40	DN25	DN25	3	4	3Ø-380	50	2900	100/70	100	35
RMD-50	DN32	DN32	4	5	3Ø-380	50	2900	90/70	200	55

上述性能參數對應於水在20°C時以正常速度運輸，性能及參數誤差±10%。泵浦的性能隨輸送液體介質的比重及密度的不同而產生變化。
The above characteristic testing is based on the water transferring with the normal speed under 20 degrees, character's error is about 10%. The pump characters change according to the difference of the liquid mediums' proportion and density.

尺寸表 / Installation Size

型號/Model	A	B	C	D	E	F	G	H	I	J	K
RMD-024	297	71	130	56	90	112	153	4-Ø8	35	137	117
RMD-033	313	80	135	63	100	125	160	4-Ø8	35	169	124
RMD-05	323	80	135	63	100	125	160	4-Ø8	35	169	124
RMD-07	323	80	135	63	100	125	160	4-Ø8	35	169	124
RMD-07T	328	80	130	63	100	125	155	4-Ø8	35	155	119
RMD-10H	362	90	154	71	112	132	169	4-Ø8	35	183	133
RMD-10	377	90	178	71	112	132	190	4-Ø8	55	183	153
RMD-15	388	90	178	71	112	132	190	4-Ø8	55	183	153
RMD-23	436	100	193	80	125	153	195	4-Ø10	55	205	161
RMD-33	490	105	198	90	140	180	205	4-Ø10	55	225	171
RMD-40	556	70	80	100	100	130	240	4-Ø12	60	235	200
RMD-50	647	107	82	103	100	130	247	4-Ø12	60	248	203

註：RMD-40 RMD-50" B" ° C" ° E" 尺寸為支架安裝孔尺寸。



耐腐蝕 耐高溫 耐低溫 體積小 不鏽鋼 低噪音 震動小 安全可靠



▲ RMDZ-30

RMDZ

不鏽鋼離心磁力泵 STAINLESS STEEL CENTRIFUGAL MAGNETIC PUMP

RMDZ系列磁力驅動式高低溫離心泵，流體通過部位零件為不鏽鋼或特種鋼，產品採用先進的水力、高效的磁性傳動結構、新穎的外觀設計，實現磁力泵的節能、安全可靠、性能穩定、節省安裝空間、壽命久等優點，在中高端應用領域得到廣泛應用。

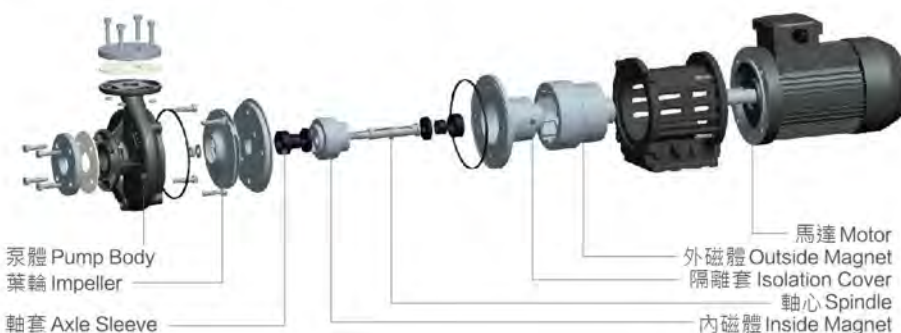
應用： 高溫模具控溫、高低溫試驗儀器、化工設備、模板控溫、高端清洗設備、高端印染設備、TCU控溫系統、高溫冷凝水回收等。

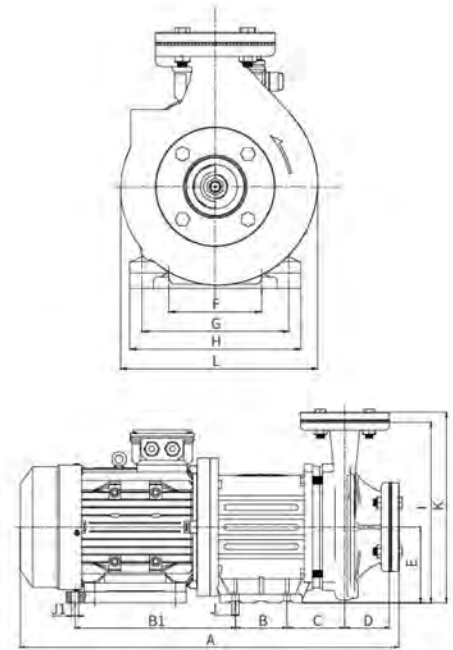
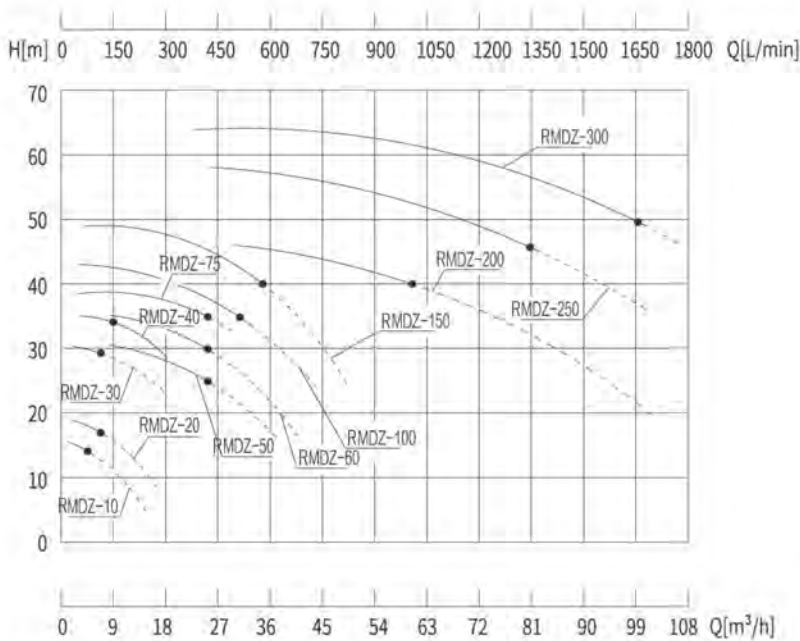
材質： 不含顆粒、纖維的水、乙二醇、酒精、導熱油、碳氫溶液、矽油、冰河冷煤汽油、染料、化學溶液等液體。

RMDZ series magnetic drive high and low-temperature centrifugal pump, its flow parts are stainless steel or special steel. RMDZ pump adopts advanced hydraulic, high-efficiency magnetic transmission structure, novel appearance design, it comes true the energy-saving, safety, and reliability, stable performance, save installation space and long life, etc., RMDZ pumps are widely used in middle high-end fields

Application Area: High temperature mold temperature controlling, High and low temperature test instrument, Chemical equipment, Template temperature controlling, High end cleaning equipment, High end printing and dyeing equipment, TCU, High temperature condensate recycle.

Circulation Medium: Water, ethylene glycol, alcohol, thermal oil, hydrocarbon solution, silicone oil, refrigerant gasoline, dyestuff, chemical solution and other liquids without particles and fibers.





使用條件 / Working Condition

高溫熱水 Thermal Conductivity Water	高溫導熱油/合成油 Thermal Conductivity Oil/ Synthetic Oil	乙二醇 / 矽油 Glycol/Silicone Oil	工作環境溫度 Working Temperature	最高海拔 Maximum Elevation	最大工作壓力 Maximum Working Pressure
+5°C~+180°C	-120°C~+350°C	-120°C~+180°C	-50°C~+70°C	5000m	15bar

規格性能參數 / Technical Parameter

型號/Model	口徑/Diameter		馬達/Motor					性能參數/Performance Parameter		泵浦淨重 Pump Weight (kg)
	入口 Inlet	出口 Outlet	功率 Power (KW)	馬力 (Hp)	電壓 Voltage (V)	頻率 Frequency (Hz)	轉速 Speed (r/min)	額定流量 Flux (m³/h)	額定揚程 Head (m)	
RMDZ-10	DN32	DN25	0.75	1	30-380	50	2760	4	15	28
RMDZ-20	DN32	DN25	1.5	2	30-380	50	2760	6	18	30
RMDZ-30	DN50	DN32	2.2	3	30-380	50	2760	6.3	30	42
RMDZ-40	DN50	DN32	3	4	30-380	50	2900	9	35	45
RMDZ-50	DN50	DN40	4	5	30-380	50	2900	25	25	60
RMDZ-60	DN50	DN40	4.5	6	30-380	50	2900	25	30	65
RMDZ-75	DN50	DN40	5.5	7.5	30-380	50	2900	25	35	87
RMDZ-100	DN50	DN40	7.5	10	30-380	50	2900	32	35	118
RMDZ-150	DN50	DN40	11	15	30-380	50	2900	35	40	148
RMDZ-200	DN80	DN65	15	20	30-380	50	2900	60	40	240
RMDZ-250	DN80	DN65	18.5	25	30-380	50	2900	80	45	268
RMDZ-300	DN80	DN65	22	30	30-380	50	2900	100	50	300

上述性能參數對應於水在20°C時以正常速度運輸，性能及參數誤差±10%。泵浦的性能隨輸送液體介質的比重及密度的不同而產生變化。
The above characteristic testing is based on the water transferring with the normal speed under 20 degrees. character's error is about 10%. The pump characters change according to the difference of the liquid mediums' proportion and density.

尺寸表 / Installation Size

型號/Model	A	B	C	B1	D	E	F	G	H	I	K	J	J1	L
RMDZ-10	503	70	72	-	50	100	100	-	-	224	239	4-Ø12	-	180
RMDZ-20	503	70	72	-	50	100	100	-	-	224	239	4-Ø12	-	180
RMDZ-30	562	70	72	256	55	110	100	140	180	245	261	4-Ø12	2-Ø10	205
RMDZ-40	592	70	72	256	55	110	100	140	180	245	261	4-Ø12	2-Ø10	205
RMDZ-50	660	90	100	280	77	132	120	190	220	315	332	4-Ø12	2-Ø10	255
RMDZ-60	660	90	100	280	77	132	120	190	220	315	332	4-Ø12	2-Ø10	255
RMDZ-75	716	90	100	263	77	132	120	215	220	315	332	4-Ø12	2-Ø10	255
RMDZ-100	800	90	100	263	99	132	120	215	220	298	315	4-Ø12	4-Ø14	275
RMDZ-150	800	90	100	263	99	132	120	215	220	298	315	4-Ø12	4-Ø14	275
RMDZ-200	860	450	90	-	90	275	430	-	500	485	507	4-Ø20	-	300
RMDZ-250	930	450	90	-	90	275	430	-	500	485	507	4-Ø20	-	300
RMDZ-300	930	450	90	-	90	295	430	-	500	505	527	4-Ø20	-	300