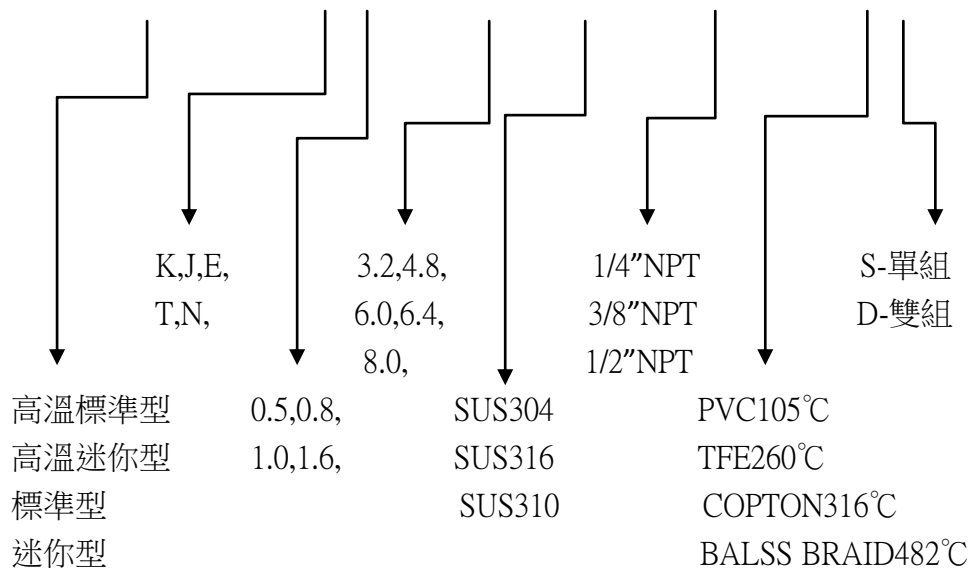


T-32-CONNECTORS × (K-0.5Φ) × ΦD × L(316) × FITTEN × L1 -S/D



ST-32-CONNECTORS × K × ΦD × L(316) × FITTEN × L1 - S/D - G/U/E

